

**Submittal Data: 9RLS3H**  
**Inverter Driven Heat Pump**

**9,000 BTU Heat Pump System**

Job Name: \_\_\_\_\_  
Location: \_\_\_\_\_  
Engineer: \_\_\_\_\_  
Submitted to: \_\_\_\_\_  
Submitted by: \_\_\_\_\_  
Reference: \_\_\_\_\_

Date: \_\_\_\_\_  
Approval: \_\_\_\_\_  
Construction: \_\_\_\_\_  
Unit #: \_\_\_\_\_  
Drawing #: \_\_\_\_\_

**General Features**

- Refrigerant Type R410A.
- Human Sensor
- Wired and wireless remote controllers
- Double swing automatic
- Automatic airflow adjustment
- Low noise mode
- Powerful mode
- 5- Years Parts, 7-Years Compressor Warranty (See Warranty Statement for details)
- Program timer
- Weekly time



**Model Information**

Outdoor..... AOU9RLS3H  
Indoor..... ASU9RLS3

**Electrical**  
Available Voltage Range..... 208/230V AC 1ph-60Hz  
Minimum Circuit Ampacity..... 14.4 A  
Max Fuse Size..... 15A  
Max Starting Current..... 3.3 A

**Input Power**  
Cooling..... 0.5 kW  
Heating..... 0.66 kW

**Running Current**  
Cooling..... 2.5 A  
Heating..... 3.3 A

**Capacity**  
Nominal Cooling..... 9,000 Btu/h  
Min-Max Cooling..... 3,100-12,000 Btu/h  
Nominal Heating..... 12,000 Btu/h  
Min-Max Heating..... 3,100-22,000 Btu/h

**Compressor**..... Rotary (inv x1)  
Motor Output..... 850 W  
Refrigerant..... R410a  
Charge..... 2 lbs. 14 oz.  
Oil..... FREOL a68SZ

**Fan Motor**  
(Condenser) Type: DC ..... Propeller x1  
(Condenser) Motor Output..... 49 W  
(Evaporator) Type: DC..... Cross flow fan x1  
(Evaporator) Motor Output..... 61 W

**Heat Exchanger** {Condenser (C) Evaporator (E)}  
Dimensions (H x W x D)  
Condenser..... 23-1/8 x 34-11/16 x 1-7/16 in. (588x881x36.4 mm)  
Evaporator..... Main 15-1/8 x 28-3/8 x 1-3/16 in. (384x720x30) Sub 3-5/16 x 28-3/8 x 1/2 in. (84x720x13.3 mm) 4-15/16 x 28-3/8 x 1/2 in. (126x720x13.3 mm)  
Fin Pitch..... 20 FPI (C) Main 21 FPI Sub 18 FPI (E)  
Rows x Stages..... 2 x 28 (C) Main 3 x 24 Sub 1 x 10 (E)  
Pipe Type (Material)..... Copper (C) Copper (E)  
Fin Type (Material)..... Aluminum (C) Aluminum (E)

Note: Specifications are based on the following conditions:  
Cooling: Indoor temperature of 80°F (26.7°C) DB/67°F (19.44°C) WB, and outdoor temperature of 95°F (35°C) DB/75°F (23.9°C) WB.  
Heating: Indoor temperature of 70°F (21.11°C) DB/59°F (15.°C) WB, and outdoor temperature of 47°F (8.33°C) DB/43°F (6.11°C) WB.  
Pipe length: 24ft. Tin (7.5m), Height difference: 0ft. (0m) (Outdoor unit – indoor unit)

**Operation Temperature Range**

Cooling..... 14°F (-10°C) to 115°F (46°C)  
Heating..... -15°F (-26°C) to 75°F (24°C)

**Efficiency**  
SEER..... 33  
EER (cooling)..... 5.28 kW/kW  
COP (heating)..... 5.33kW/kW / 18.2 Btu/h/W  
HSPF (heating)..... 14.2 Btu/h/W

**Enclosure (Condenser)**  
Material..... Painted galvanized steel  
Color..... Beige (10 YR 7.5/1.0 NN)

**Sound Pressure Level**  
Outdoor..... 42 dB(A)  
Indoor..... 42 dB(A)

**Dimensions**  
H x W x D  
Outdoor in. (mm)..... 24-1/2 (620) x 31-1/8 (790) x 11-7/16 (290)  
Indoor in. (mm)..... 11- 5/8 (295) x 37 (940) x 10-5/8 (270)

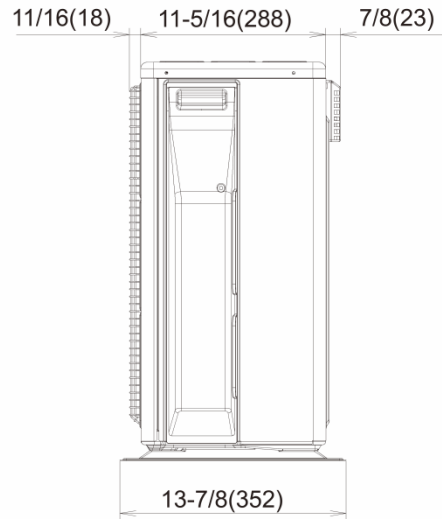
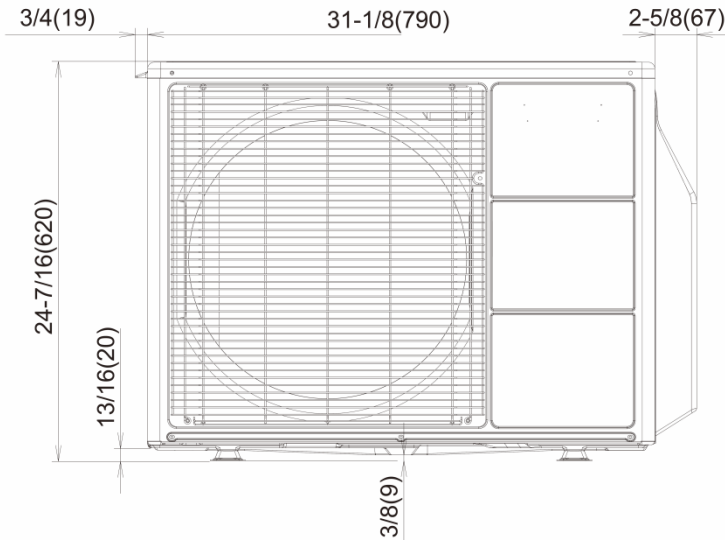
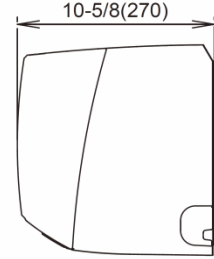
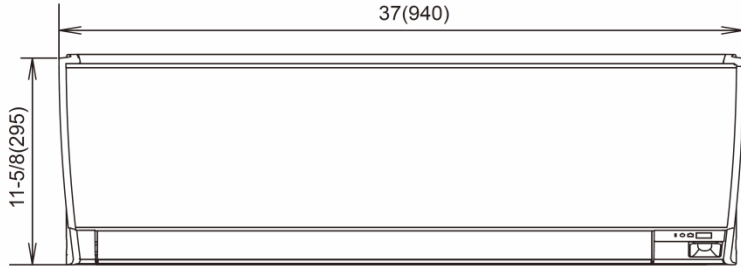
**Connection Pipe**  
Liquid..... 1/4" / 6.35 mm Flare  
Gas..... 3/8" / 9.52 mm Flare  
Method (Liquid/Gas)..... Brazing  
Max Length (Pre-charge)..... 66 ft.(20 m) / (49 ft. {15 m})  
Max Height Difference..... 49 ft. (15 m)

**Weight**  
Outdoor..... 86 lbs (38 kg)  
Indoor..... 31 lbs (14 kg)

**Accessories**  
Wired Remote Controller..... UTY-RVNUM  
Wired Remote Controller..... UTY-RNNUM  
Simple Remote Controller..... UTY-RSNUM  
Communication Kit..... UTY-TWBXF1  
External Connection Kit..... UTY-XWZZZ5

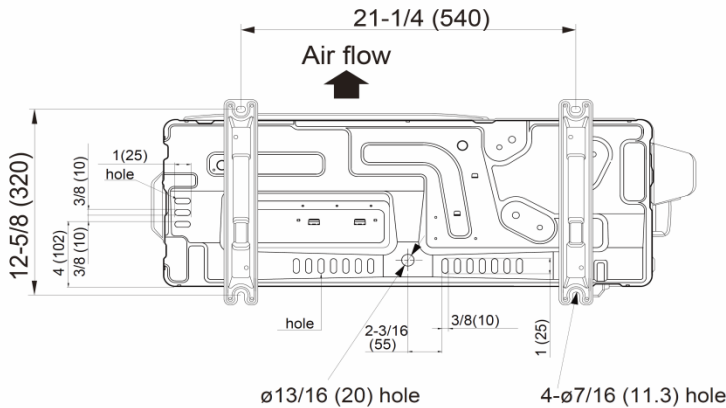
## Dimensions: 9RLS3H

[Unit: in. (mm)]



Front view

Side view



Bottom view

